

Inserta Products, Inc.

90° FLANGE ROTATIONAL CONNECTORS

The **INSERTA® 90° Flange Rotational Connectors** gives one greater flexibility in assembling **INSERTA® Valves and Modular Connectors** on Code U461, Code 61 and Code 62 4-Bolt patterns. The assembly of these components saves space, time and money, eliminates piping leaks, and adds value and integrity to a system.

An **INSERTA® 90° Flange Rotational Connector** and an **INSERTA® 90° Flange Rotational Retaining Adapter** are used to sandwich **INSERTA® Valves and Modular Connectors** together as inline flange ported assemblies.

An **INSERTA® 90° Rotational Connector** and two **INSERTA® 90° Flange Rotational Retaining Adapters** are used to sandwich **INSERTA® Valves and Modular Connectors** together as inline flange ported assemblies with the inlet and outlet ports rotated 90°.

The **INSERTA® 90° Flange Rotational Connectors** are available with the same Code and size ports, or with one reducing port size. They are available with Code 61, Code U461 or Code 62 ports of the same size. The models with different Codes or sizes of ports on the connector are pressure rated based on the lower of the two pressure rated flange connectors. The **INSERTA® Code 61 Flange Rotational Connectors** are used to connect Code 61 to Code 61 4-Bolt flanges. **Code U461 Flange Rotational Retainers** should be specified to connect two Code U461 4-Bolt flanges when their higher-pressure rating is required. Likewise, specify the Code 62 with the Code U461 4-Bolt ports when its higher-pressure rating is required. These connector options further enhance the use and flexibility in assembling **INSERTA® Modular Valves**.

All **INSERTA® 90° Flange Rotational Connectors** are made of steel as standard. Custom connectors and connectors made from other materials can be provided whenever a customer's design dictates a specialized requirement.



ORDERING INFORMATION

IFRC - A - 6116 - 6116 - *

INSERTA®
90° FLANGE
ROTATIONAL CONNECTOR

SURFACE FINISH
EN = ELECTROLESS NICKEL
OMIT = UNPLATED

PORT FACE 1

PORT FACE Ø

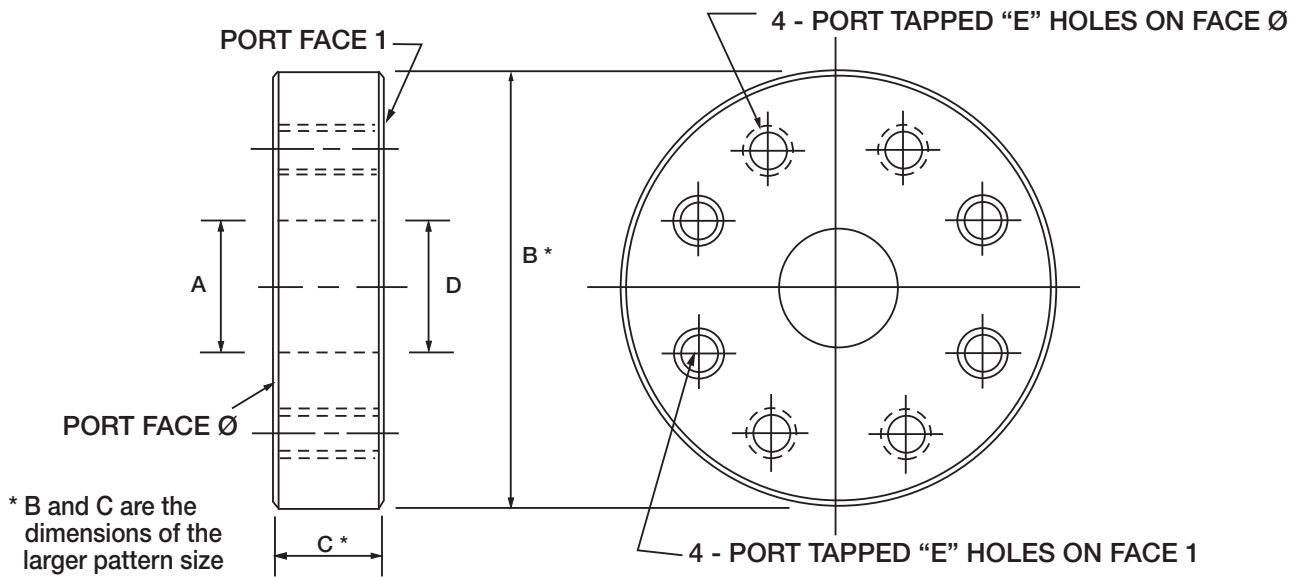
MOUNTING DESIGN CODE

SIZE	CODE U461	CODE 61	CODE 62
02	U46102		
04	U46104		
06	U46106		
08	U46108	6108	6208
12	U46112	6112	6212
16	U46116	6116	6216
20	U46120	6120	6220
24	U46124	6124	6224
32	U46132	6132	6232
40		6140	6240
48		6148	6248

Inserta Products, Inc.
Blue Bell, Pa. 19422

**90° FLANGE
ROTATIONAL
CONNECTORS**





CODE 61 & UNIFIED CODE U461

CODE U461 PATTERN SIZE	NOMINAL SIZE	C	CODE 61 PATTERN SIZE	C	ALL FLANGE SIZES			
					A	B	D	E UNC-2B
U46102	1/8	.50	—	—	.13	1.12	.13	8-32
U46104	1/4	.50	—	—	.25	1.38	.25	10-24
U46106	3/8	.50	—	—	.38	1.62	.38	1/4-20
U46108	1/2	1.00	6108	1.00	.50	2.38	.50	5/16-18
U46112	3/4	1.12	6112	1.00	.75	3.00	.75	3/8-16
U46116	1	1.12	6116	1.12	1.00	3.00	1.00	3/8-16
U46120	1 1/4	1.25	6120	1.12	1.25	3.50	1.25	7/16-14
U46124	1 1/2	1.38	6124	1.12	1.50	4.00	1.50	1/2-13
U46132	2	1.50	6132	1.12	2.00	4.50	2.00	1/2-13
—	2 1/2	—	6140	1.12	2.50	5.00	2.50	1/2-13
—	3	—	6148	1.12	3.00	6.00	3.00	5/8-11

CODE 62

PATTERN SIZE	NOMINAL SIZE	A	B	C	D	E
6208	1/2	.50	2.38	1.00	.50	5/16-18
6212	3/4	.75	3.00	1.12	.75	3/8-16
6216	1	1.00	3.50	1.12	1.00	7/16-14
6220	1 1/4	1.25	4.00	1.25	1.25	1/2-13
6224	1 1/2	1.50	4.50	1.38	1.50	5/8-11
6232	2	2.00	5.50	1.50	2.00	3/4-10
6240	2 1/2	2.50	7.00	1.50	2.50	7/8- 9
6248	3	3.00	8.50	1.62	3.00	1 1/8- 7

The 90° Flange Rotational Connectors are available in the following combinations:

1. Code 61 to Code 61 in the same size or with Port Face 1 reduced one size.
2. Code 62 to Code 62 in the same size or with Port Face 1 reduced one size.
3. Code 62 to Code 61 in the same size or with Port Face 1 reduced one size.
4. Code 62 to Code U461 in the same size or with Port Face 1 reduced one size.
5. Code U461 to Code U461 in the same size or with Port Face 1 reduced one size.

Inserta Products, Inc.
Blue Bell, Pa. 19422

**90° FLANGE
ROTATIONAL
CONNECTORS**

