

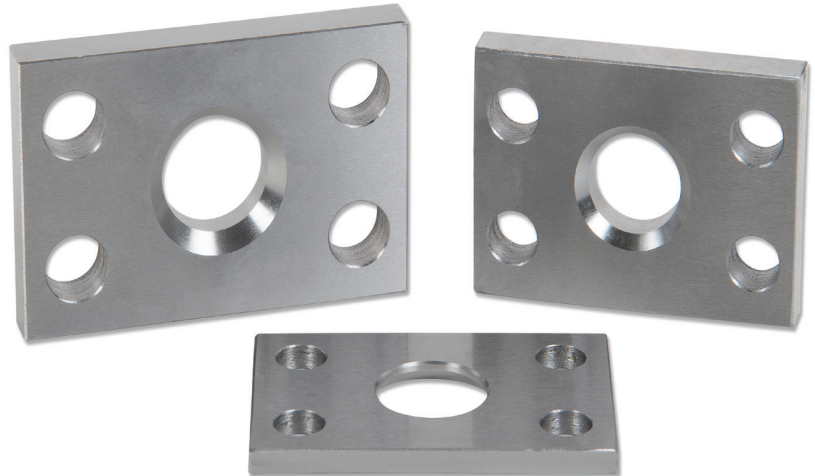
Inserta Products, Inc.

CHECK VALVES RETAINER SLIP-IN TYPE

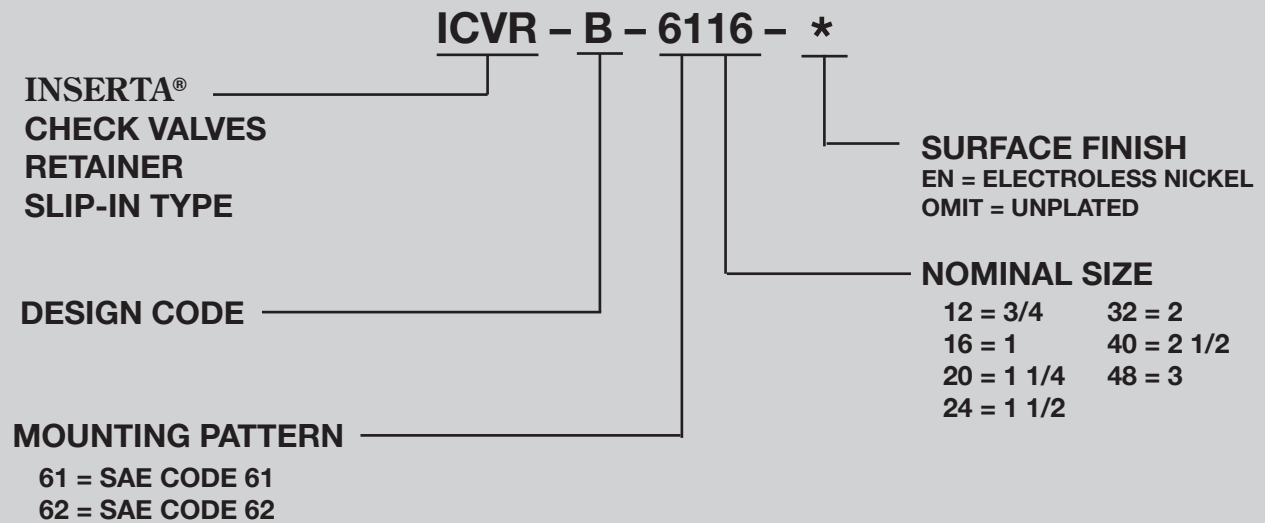
INSERTA® ICVR Check Valves Retainer, Slip-In type, Code 61 and Code 62 is used with an SAE J518 flange assembly to retain an INSERTA® ICS Check Valve, Slip-in type in axial flow applications. The retainer provides a flow transition between the valve and the flange.

These may be used with ADACONN® ADAFLANGE™ ADAPTERS, UNIFIED CODE U61 4-Bolt, in order to provide a minimum distance to adjacent surface components.

The INSERTA® ICVR Check Valve Retainers, Slip-In type, are steel construction, and plated for corrosion resistance.

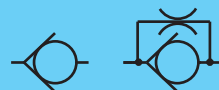


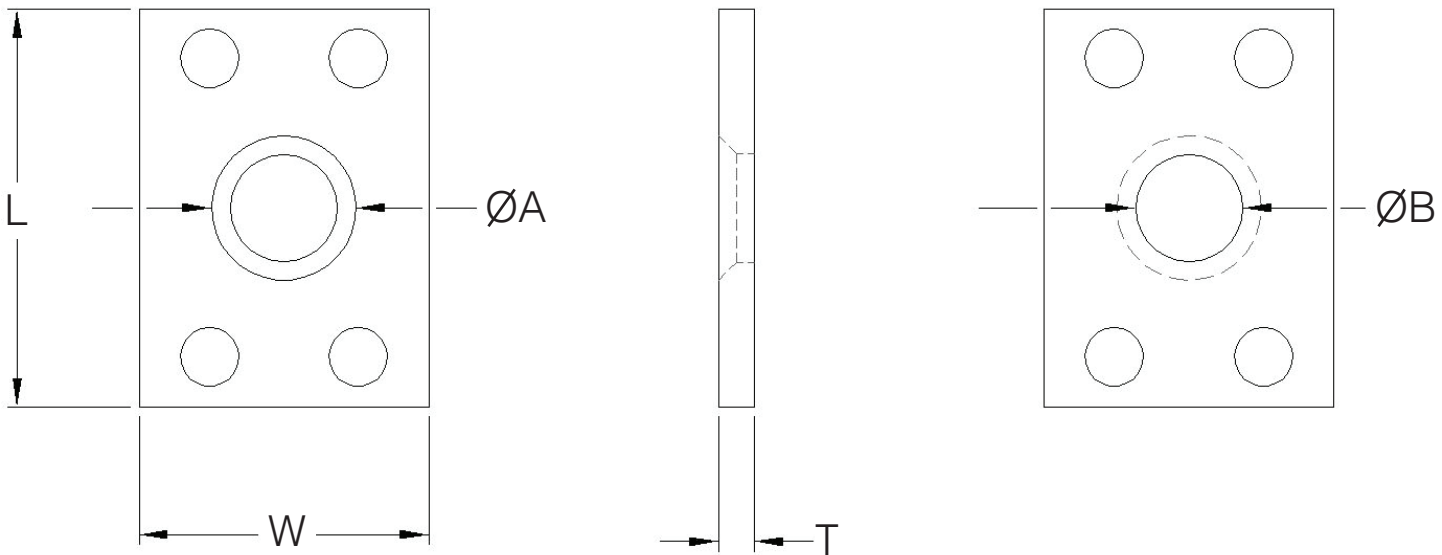
ORDERING INFORMATION



Inserta Products, Inc.
Blue Bell, Pa. 19422

CHECK VALVES
GUIDED DISC
SLIP-IN TYPE



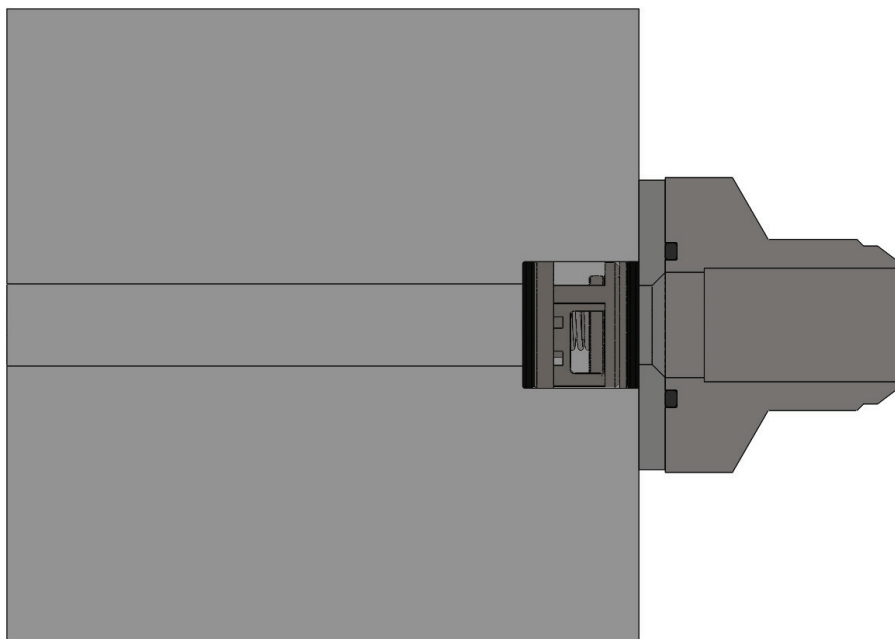


CODE 61

PATTERN SIZE	A DIA.	B DIA.	L	W	T
6112	0.75	0.56	2.50	1.64	0.25
6116	1.00	0.75	2.75	2.00	0.25
6120	1.25	1.00	3.00	2.14	0.25
6124	1.50	1.16	3.75	2.50	0.25
6132	2.00	1.69	4.00	3.00	0.25

CODE 62

PATTERN SIZE	A DIA.	B DIA.	L	W	T
6220	1.25	1.00	3.50	2.50	0.50
6224	1.50	1.16	4.25	2.77	0.50
6232	2.00	1.69	5.00	3.50	0.75
6240	2.50	2.00	6.00	4.25	0.75
6248	3.00	2.44	8.00	5.00	0.87



Inserta Products, Inc.
Blue Bell, Pa. 19422

**CHECK VALVES
GUIDED DISC
SLIP-IN TYPE**