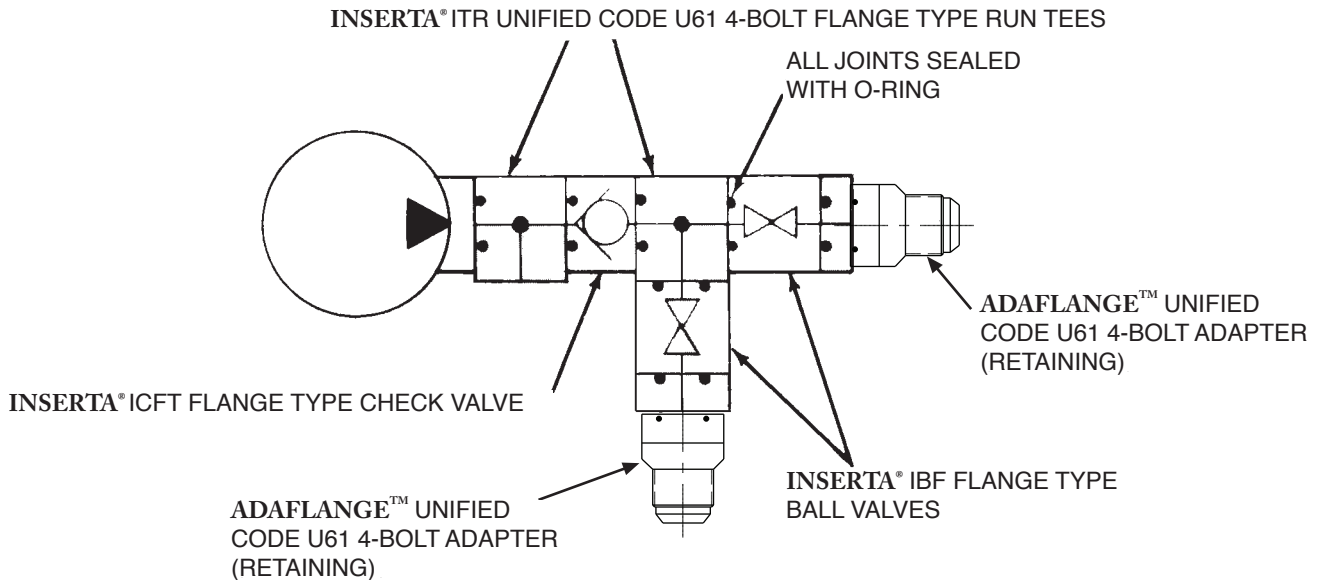


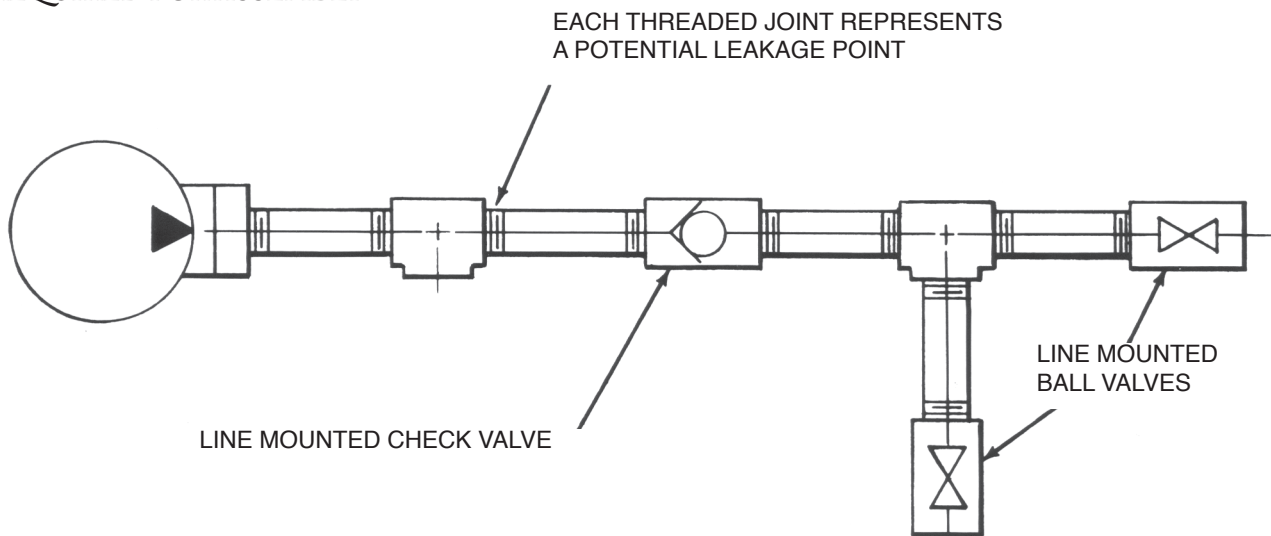
USE THE ADACONN® + INSERTA® ALTERNATIVES

SMALL WRENCHES ONLY
REQUIRED FOR ASSEMBLY



IN PLACE OF THE OLD METHODS OF PIPING

LARGE WRENCHES
REQUIRED FOR ASSEMBLY



RESULTS - BULKY, LEAK PRONE ASSEMBLY

ADACONN®  **INSERTA®**
Blue Bell, PA 19422

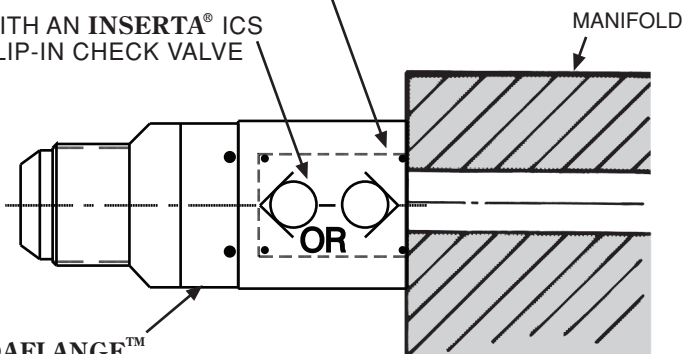
USE THE
ADACONN®  **INSERTA®**
ALTERNATIVES

USE THE ADACONN® + INSERTA® ALTERNATIVES

INSERTA® ICF OR ICFS CHECK VALVE BODY

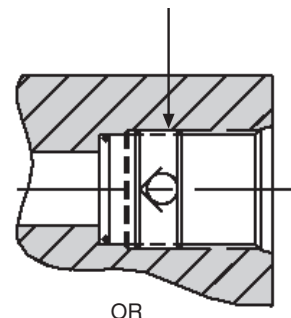
WITH AN INSERTA® ICS SLIP-IN CHECK VALVE

ADAFLANGE™ UNIFIED CODE U61 4-BOLT ADAPTER (RETAINING)

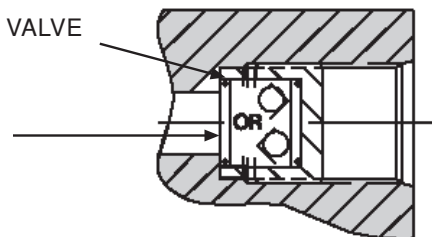


INSERTA® ICT THREAD-IN CHECK VALVE

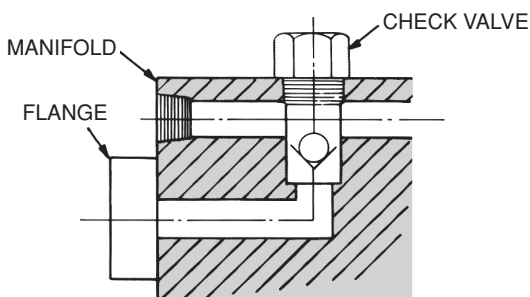
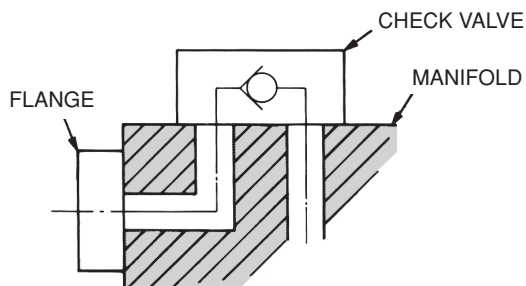
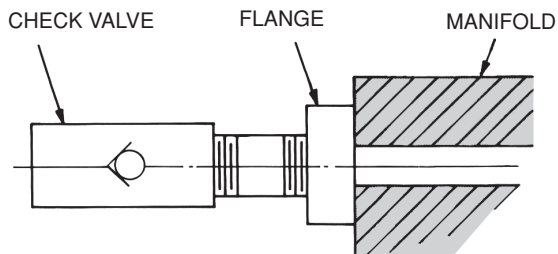
AND



INSERTA® ICC CHECK VALVE CARRIER WITH AN INSERTA® ICS SLIP-IN CHECK VALVE



IN PLACE OF THE OLD METHODS



THE ADACONN® + INSERTA® ALTERNATIVE:

- Eliminates Leaks and Bulk associated with Line Mounted Valves.

THE ADACONN® + INSERTA® ALTERNATIVE:

- Eliminates cross drilling and tapped mounting holes required with Surface Mount Valves.

THE ADACONN® + INSERTA® ALTERNATIVE:

- Eliminates form tools, tapping and cross drilling required with Cartridge Type Valves.

ADACONN®  **INSERTA®**
Blue Bell, PA 19422

USE THE
ADACONN®  **INSERTA®**
ALTERNATIVES